

IPL, Spreader, 2003-06, 106 31 22-61

954 12 00-42, 45-01872

# Spreader

Spare parts

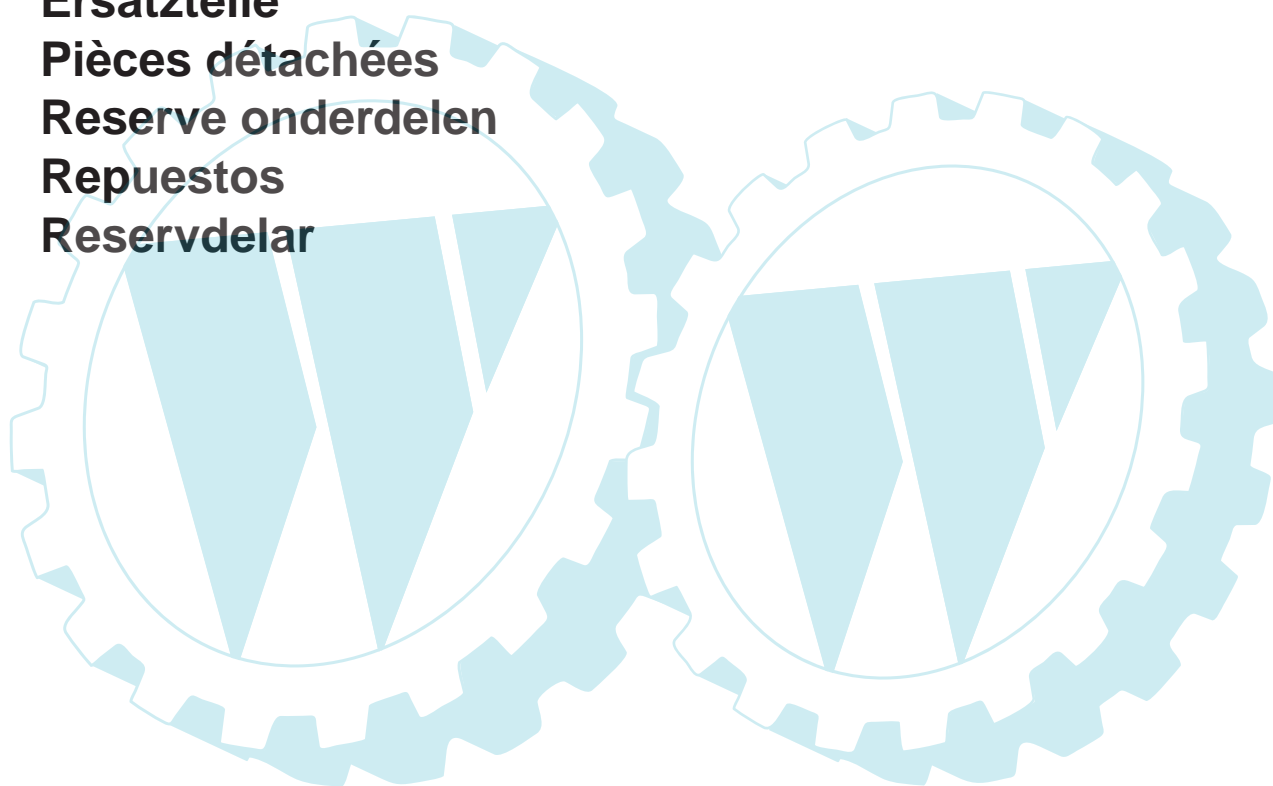
Ersatzteile

Pièces détachées

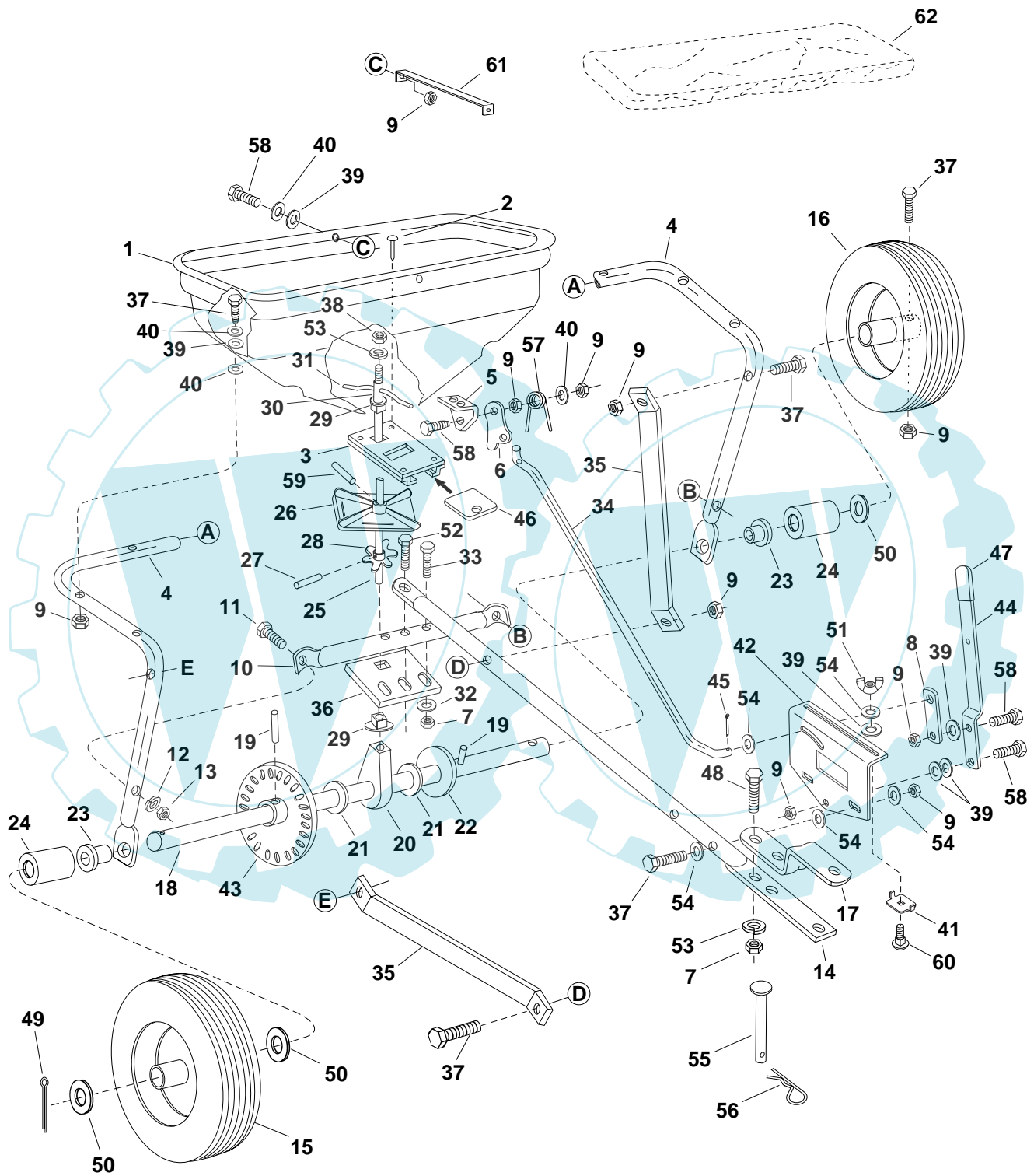
Reserve onderdelen

Repuestos

Reservdelar



# REPAIR PARTS FOR BROADCAST SPREADER MODEL 45-01872



Ref.no.	Part no.		Qty	Description
1	531 00 46-01		1	Hopper
2	531 00 27-66		4	Rivet, Stainless
3	531 00 27-50		1	Ass'y, Guide Closure
4	531 00 46-02		1	Tube, Frame
5	531 00 46-03		1	Slide Gate Angle Bracket
6	531 00 46-04		1	Slide Gate Bracket
7	873 68 06-00		5	Nut, Hex Lock 3/8-16 Thd.*
8	531 00 76-43	N	1	Flow Control Link
9	531 00 76-29		18	Nut, Hex Lock 1/4-20 Thd.*
10	531 00 27-70		1	Tube, Crossover
11	531 00 28-38		2	Bolt, Hex 5/16-18 x 1-3/4" Lg.
12	735 11 64-05		2	Lock Washer, 5/16"
13	531 00 76-16		2	Nut, Hex Lock, 5/16-18 Thd.*
14	531 00 46-06		1	Tube, Hitch
15	531 00 27-15		1	Wheel, Idler
16	531 00 46-08		1	Wheel, Drive
17	531 00 27-72		1	Bracket, Hitch
18	531 00 76-75		1	Shaft, Axle
19	531 00 27-74		2	Pin, Spring 3/16" Dia. x 1-1/4" lg.
20	531 00 27-53		1	Bushing, Axle Shaft
21	506 62 52-01		5	Washer, Flat .78 I.D.
22	531 00 27-92		1	Washer, Flat 1/2"
23	531 00 76-55	N	2	Bearing, Flange
24	531 00 46-10		2	Tube, Spacer
25	531 00 46-11		1	Shaft, Sprocket
26	531 00 27-55		1	Spreader Plate
27	531 00 76-78		1	Pin, Spring 1/8" Dia. x 5/8".
28	531 00 46-12		1	Sprocket, 6 Tooth
29	531 00 46-19		2	Bushing, Delrin
30	531 00 46-13		1	Sleeve, Agitator
31	531 00 27-58		1	Wire, Agitator
32	734 11 72-01		5	Washer, Flat 3/8" *
33	725 25 01-51		2	Bolt, Hex 3/8-16 x 1-3/4" Lg.*
34	531 00 46-14		1	Rod, Flow Control
35	531 00 27-81		2	Brace, Hitch
36	531 00 46-15		1	Shaft Support Plate
37	725 23 79-51		12	Bolt, Hex 1/4-20 x 1-3/4"
38	731 23 20-01		1	Nut, Hex 3/8-16

Ref.no.	Part no.		Qty	Description
39	531 00 27-83		12	Washer, Nylon
40	734 11 52-01		15	Washer, Flat 1/4" Std.
41	531 00 76-44	N	1	Stop, Adjustable
42	531 00 76-42	N	1	Bracket, Flow Control Mount
43	531 00 27-59		1	Gear Assembly
44	531 00 76-45	N	1	Flow Control Arm
45	721 61 67-01		1	Cotter Pin 3/32" x 3/4" Lg.*
46	531 00 27-63		1	Plate, Closure
47	531 00 27-87		1	Grip, Flow Control Arm
48	506 62 61-01		2	Bolt, Hex 3/8-16 x 1-1/4" Lg.*
49	721 61 85-01		1	Pin, Cotter 1/8" x 1-1/2"
50	531 00 27-16		4	Washer, Flat 1-5/8" O.D.
51	531 00 76-51	N	1	Wing Nut, Nylon
52	531 00 27-32		1	Bolt, Hex 3/8-16 x 2" Lg.*
53	735 11 73-01		3	Lock Washer, 3/8" *
54	531 00 74-76		8	Washer, 5/16 SAE
55	531 00 81-18		1	Hitch Pin
56	721 68 02-51		1	Hair Cotter Pin, 1/8"
57	531 00 46-20		1	Spring, Torsion
58	725 23 70-51		5	Bolt, Hex 1/4-20 x 3/4" Lg.*
59	531 00 27-77		1	Pin, Spring 1/8" Dia. x 1" Lg.
60	531 00 76-37		1	Bolt, Carriage 1/4-20 x 3/4"
61	531 00 27-69		1	Strap, Hopper
62	531 00 27-90		1	Vinyl Cover (Optional)
	531 00 76-81		1	Owner's Manual